

PRODUCT DATA SHEET

FAÇADE CLIP

PRODUCT DESCRIPTION

For hidden fastening of façade wood.

ADVANTAGES

- For façade timbers with a profile height of 57 – 95 mm
- Hidden fastening
- Perfect constructive timber protection
- Ventilated façade system with spaced installation
- The façade timber's surface that is exposed to the weather remains undamaged.
- Efficient and easy installation

AREA OF USE

- For mounting wooden façade profiles on a wooden substructure.



Façade clip



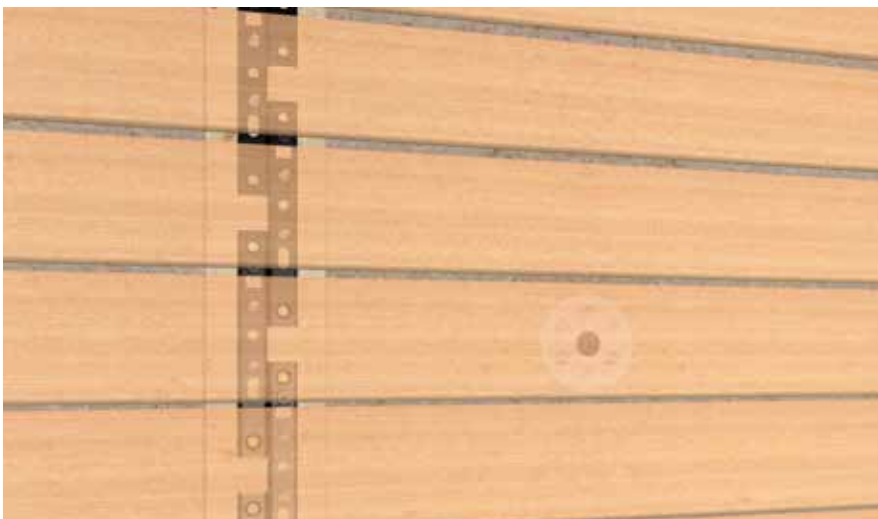
Mounting screw



Fixing screw

One fixing screw 4.5 x 29 mm and two mounting screws 4.2 x L (L depends on the thickness of the Rhombus profile) are included in the scope of delivery for each façade clip.

APPLICATION IMAGE



Façade clip on wooden substructure with wooden façade profiles.

PRODUCT DATA SHEET

FAÇADE CLIP

MATERIAL

- Black, electrogalvanised

PRODUCT TABLE

ART. NO.	Designation	Height [mm]	Length [mm]	Width [mm]	PU*
946010	F115 x 17	115	15	5,5	300
946012	F115 x 22	115	15	5,5	300
946013	F115 x 28	115	15	5,5	300
946014	F130 x 17	130	15	5,5	300
946015	F130 x 22	130	15	5,5	300
946016	F130 x 28	130	15	5,5	300
946017	F145 x 17	145	15	5,5	300
946018	F145 x 22	145	15	5,5	300
946019	F145 x 28	145	15	5,5	300

*Screws are included in the scope of delivery

One fixing screw 4.5 x 29 mm and two mounting screws 4.2 x L (L depends on the thickness of the Rhombus profile) are included in the scope of delivery for each façade clip.

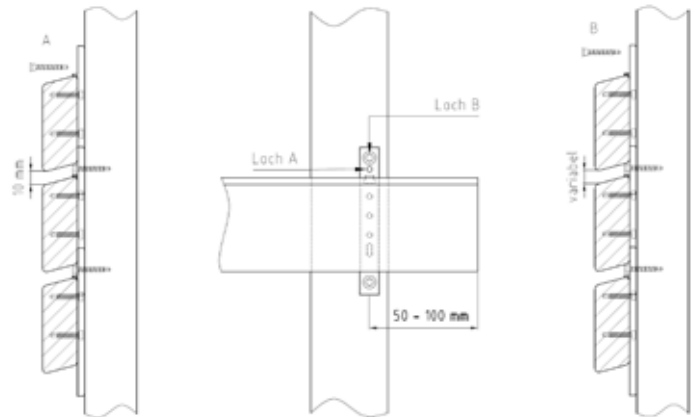
PRODUCT DATA SHEET

FAÇADE CLIP

VERSIONS



The façade clip in combination with two mounting screws and the fixing screw.

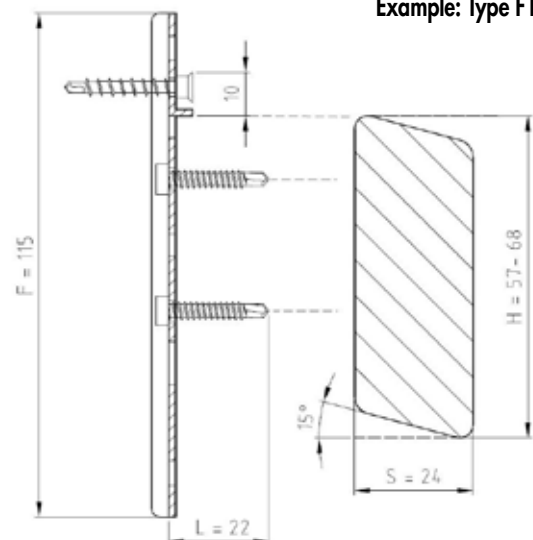


The façade clip and its possible screw connections as well as the necessary cross-sections of the façade timbers.



From left to right: The façade clip F145, F130 and F115.

Example: Type F115 x 22



Installation instructions and two possible screw connection types for different gap sizes in the façade.

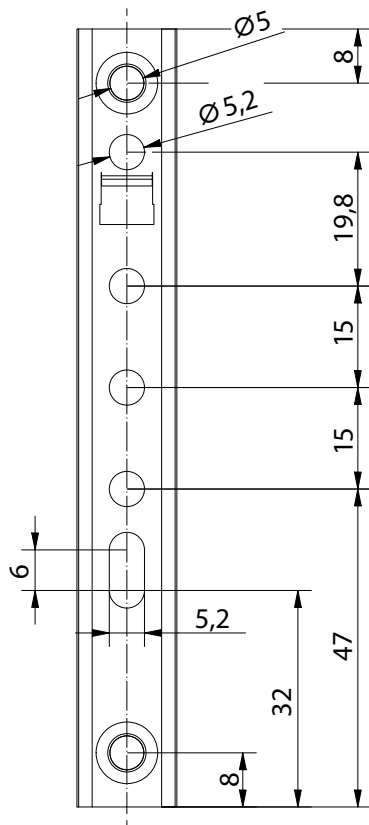
For a detailed explanation, please refer to our installation instructions.

PRODUCT DATA SHEET

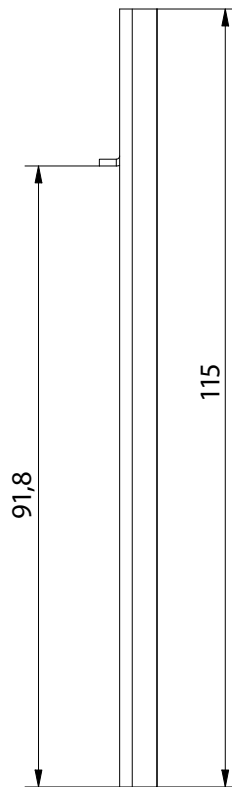
FAÇADE CLIP

DRAWINGS

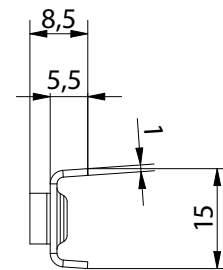
- Façade clip with a height of 115 mm



Front view



Side view



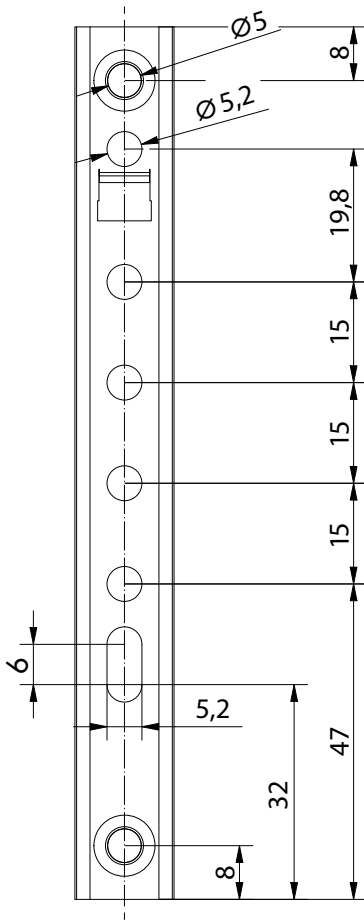
Top view

PRODUCT DATA SHEET

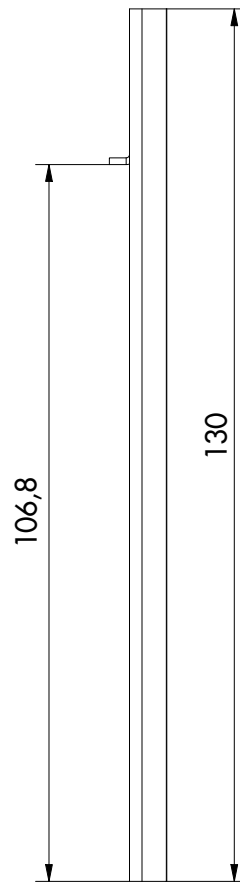
FAÇADE CLIP

DRAWINGS

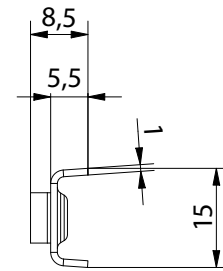
- Façade clip with a height of 130 mm



Front view



Side view



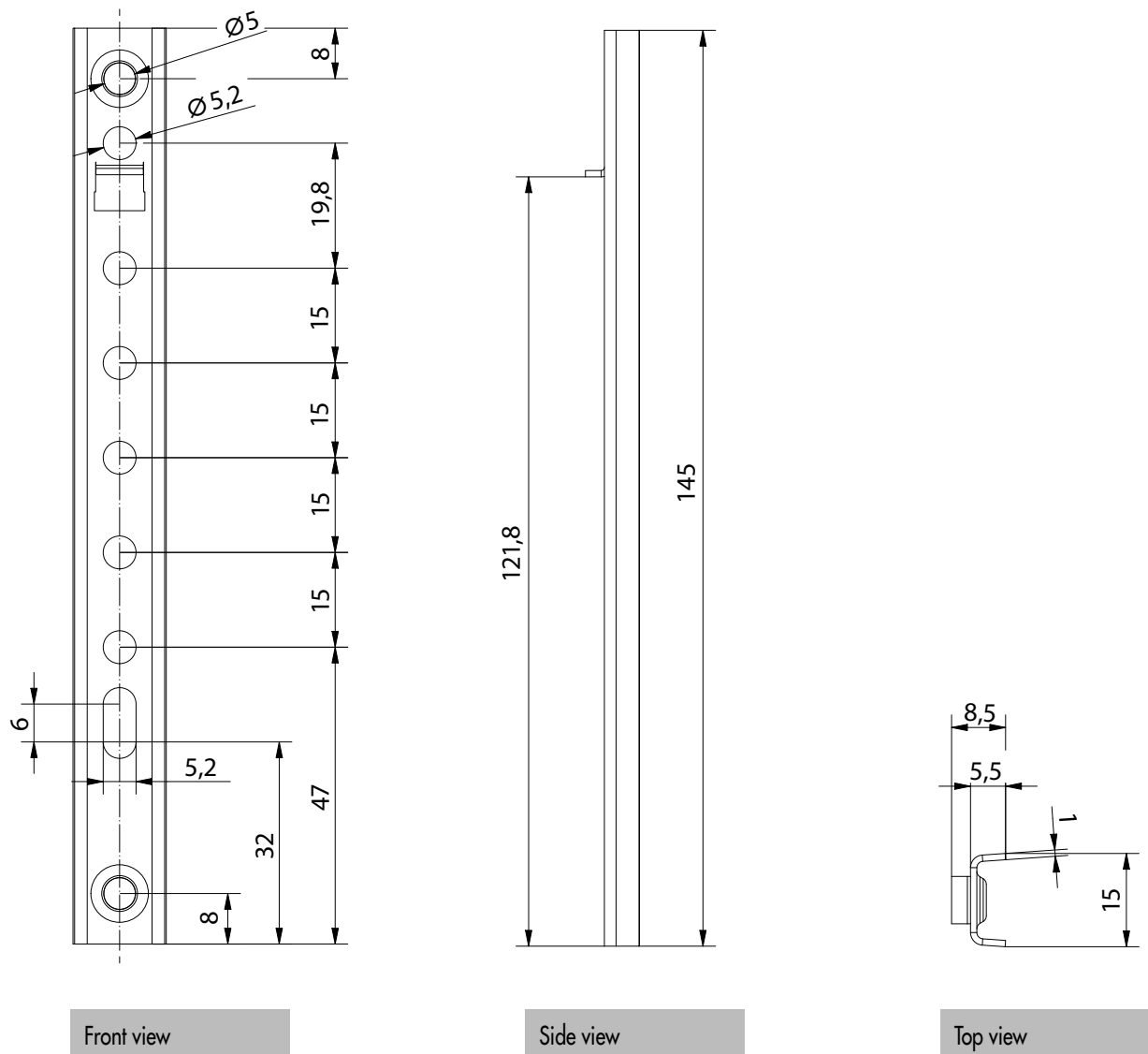
Top view

PRODUCT DATA SHEET

FAÇADE CLIP

DRAWINGS

- Façade clip with a height of 145 mm



If you are not familiar with how this product is used, and particularly with the product's intended use, please contact our Application Technology department (technik@eurotec.team).